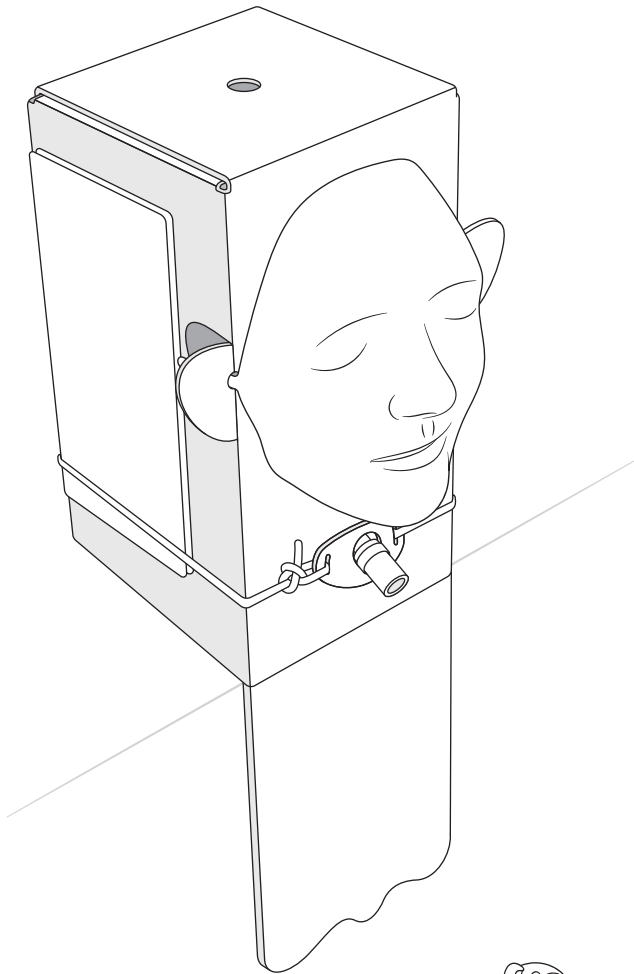


Modular Skills Trainer

User Guide



This Modular Skills Trainer is designed to be used by students anytime, anywhere, to practice skills and develop competence in many of the critical skills that healthcare workers require.

Warnings and Cautions

A Warning states a condition, hazard, or unsafe practice that can result in serious personal injury or death.

A Caution states a condition, hazard, or unsafe practice that can result in minor personal injury or damage to the product.

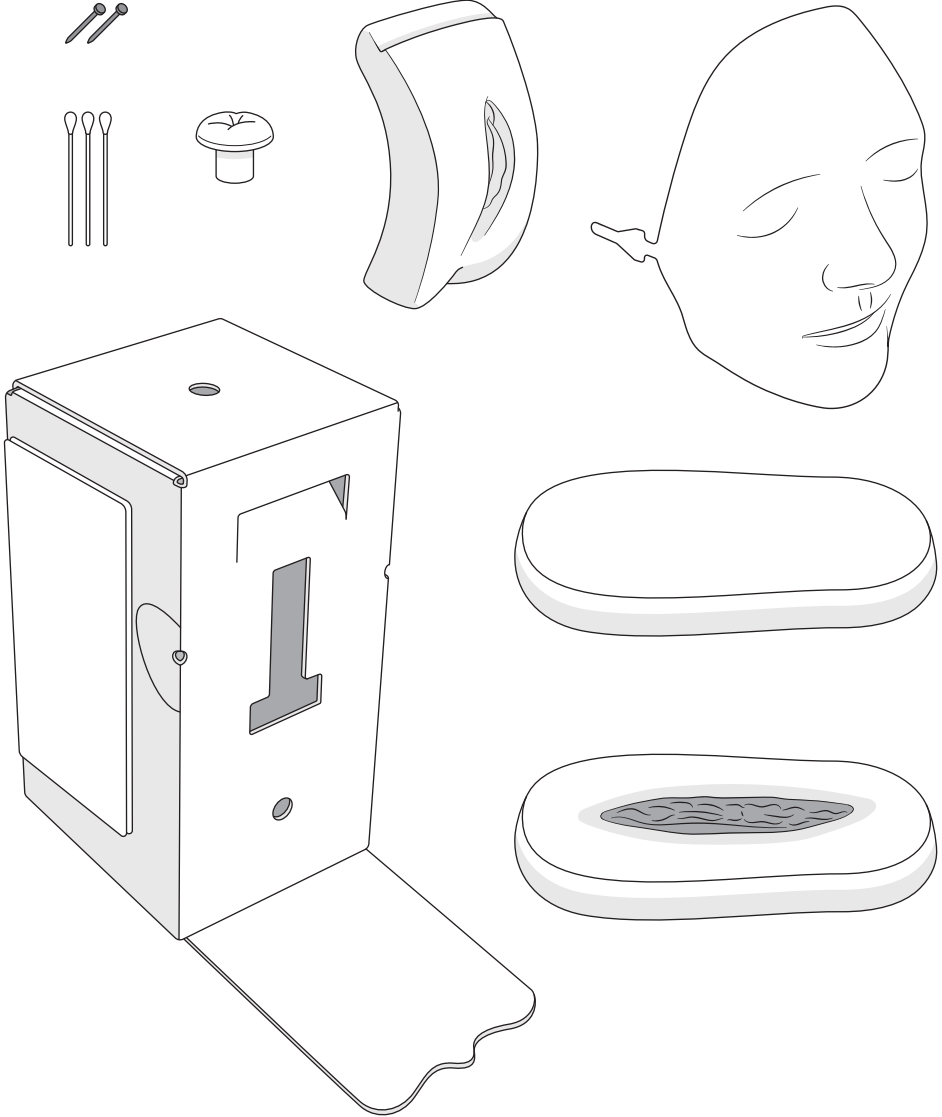
Notes

A note states important information about the product or its operation.

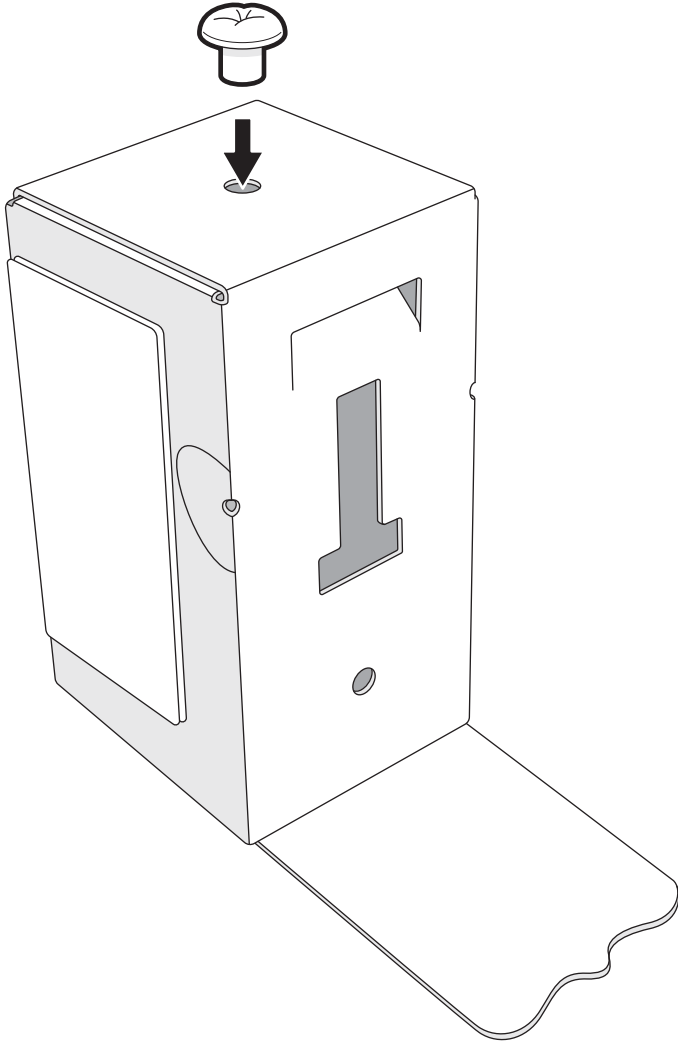
Warnings

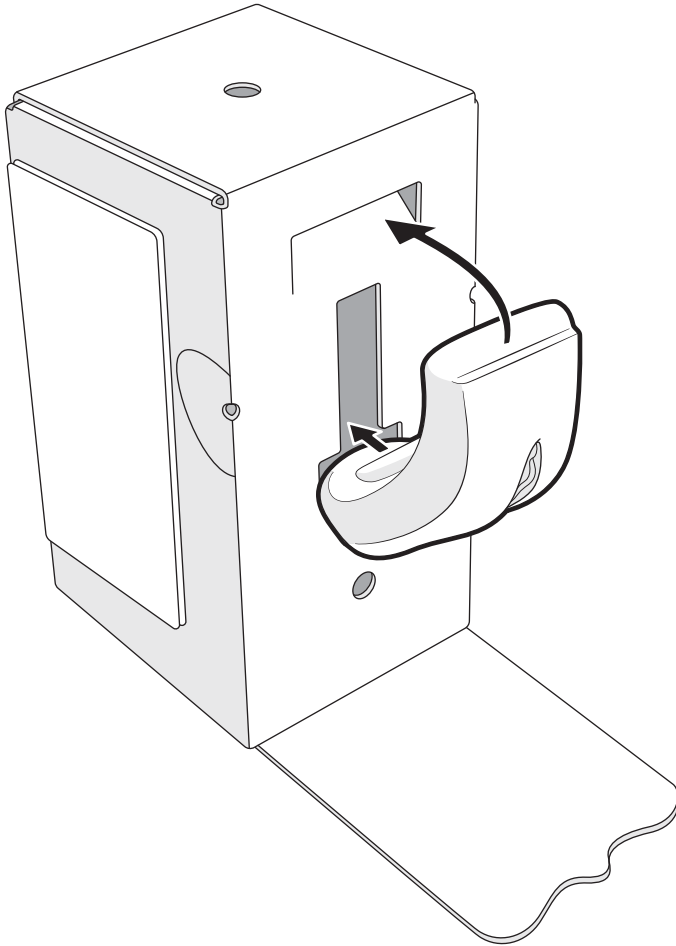
- *Choking hazard. Contains small parts.*
- *Not for children under 3 yrs.*
- *To avoid danger of suffocation, keep this plastic bag away from babies and children. Do not use this bag in cribs, beds, carriages, or playpens. This bag is not a toy.*

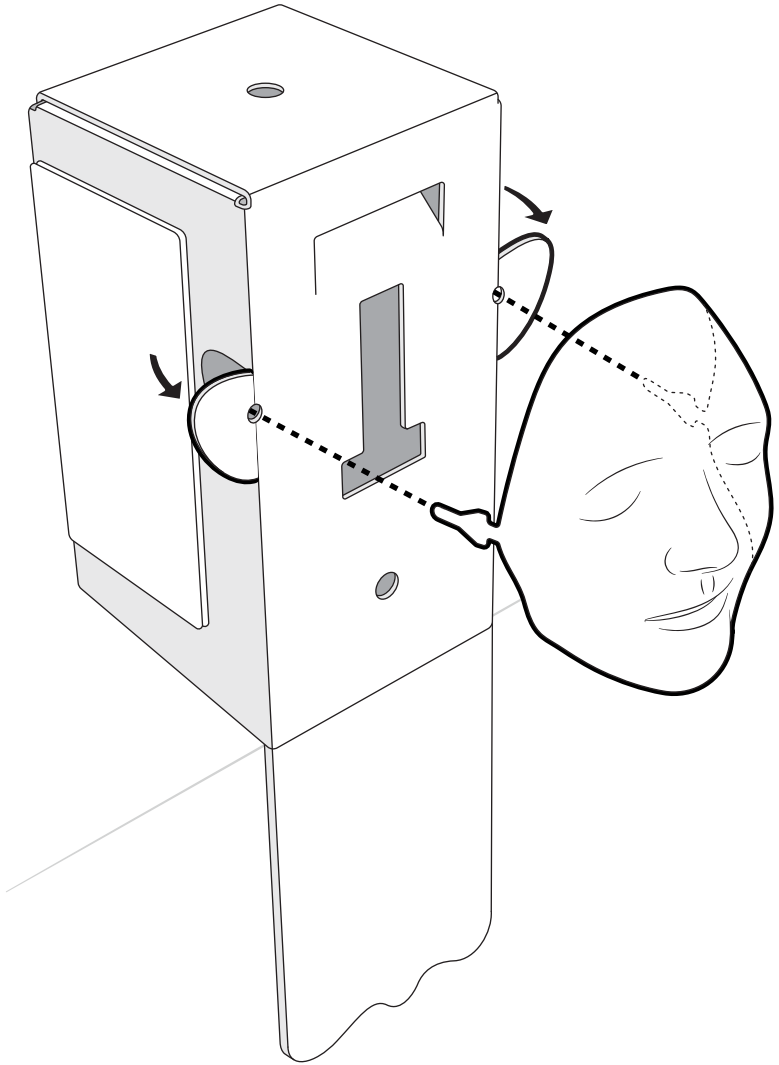
Items Included

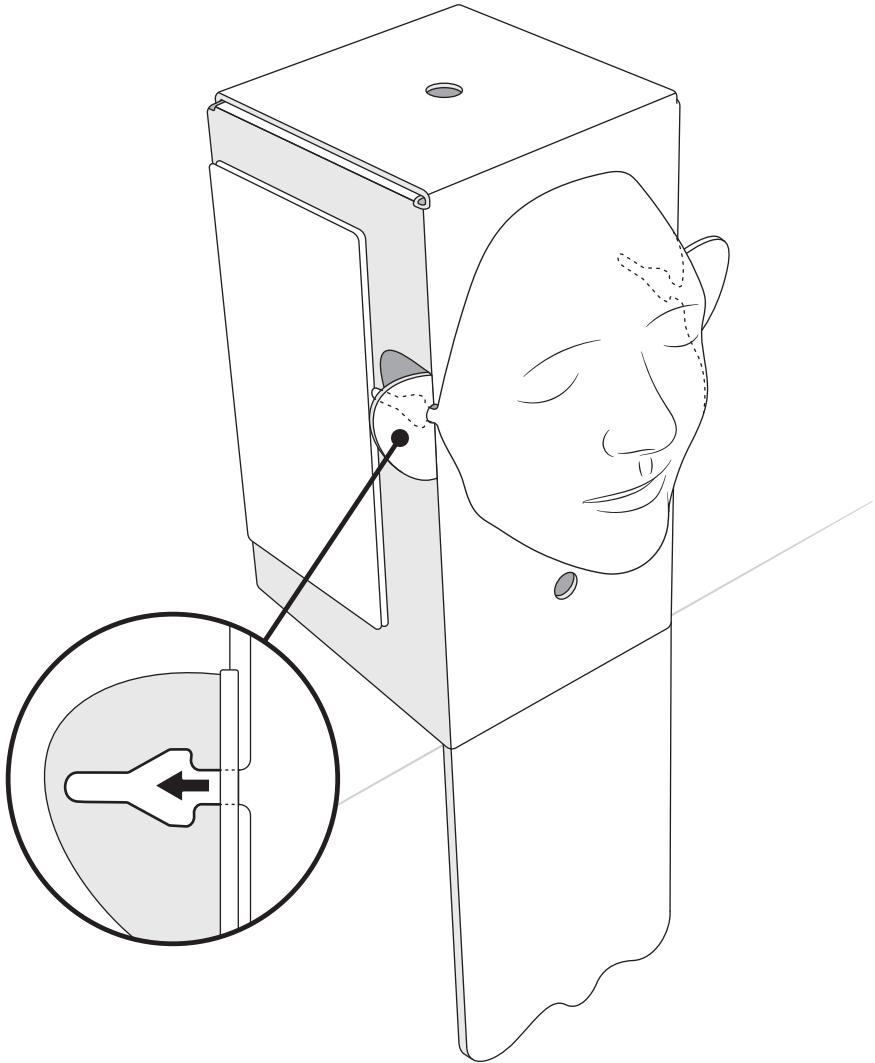


- Nasogastric Tube Insertion
- Wound Care
- Tracheostomy Care
- Central Line Dressing Change
- Ostomy Care
- Urinary Catheterization & Enema
- Injections
- Intravenous Catheterization & Phlebotomy
- Suppositories (rectal & vaginal)
- Perineal Care
- Oxygen Therapy
- Nasal Swab
- G-tube Care



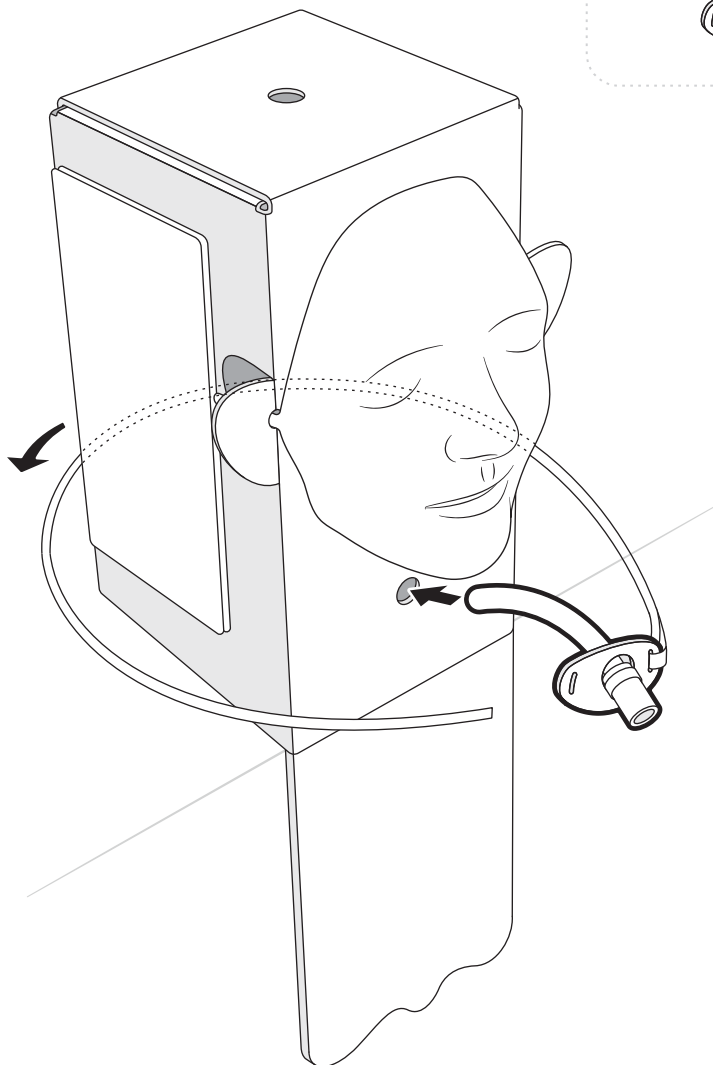
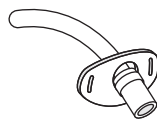


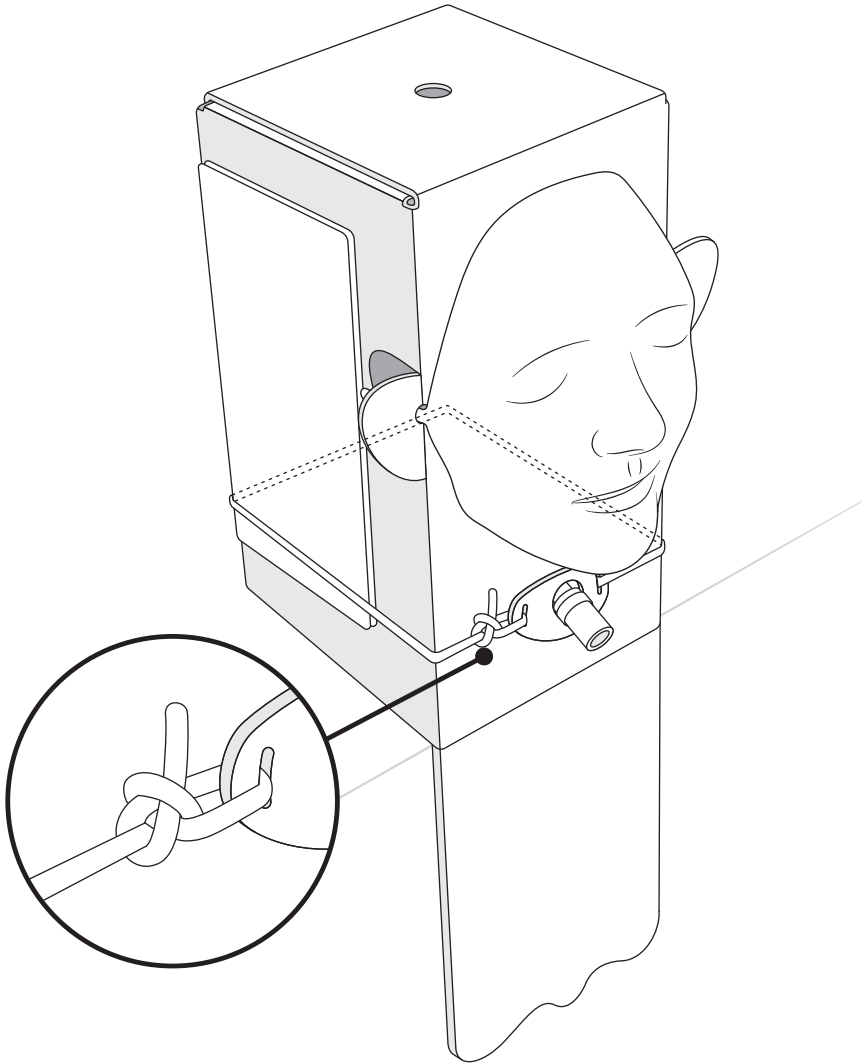




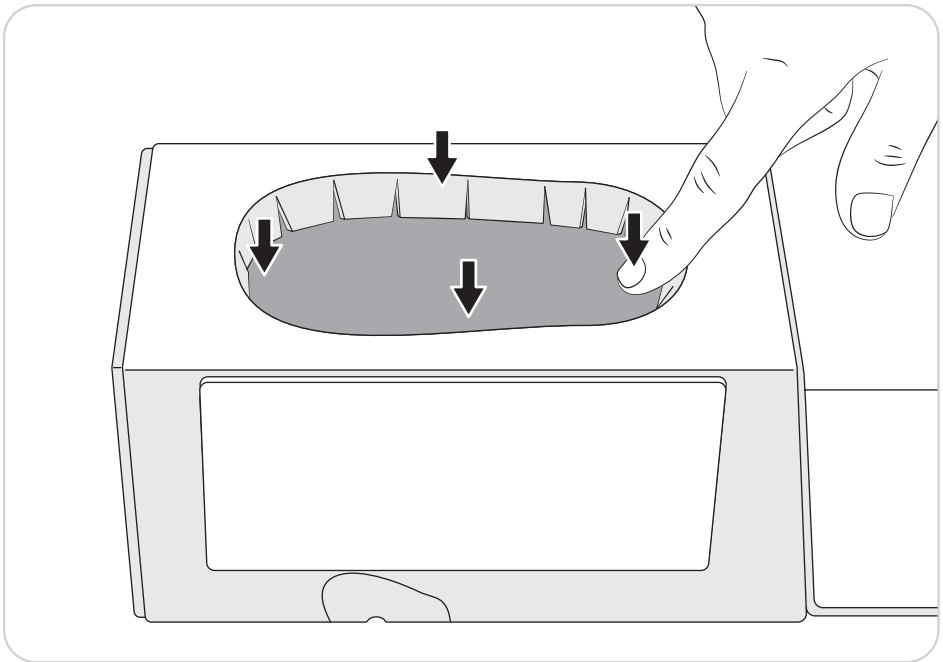
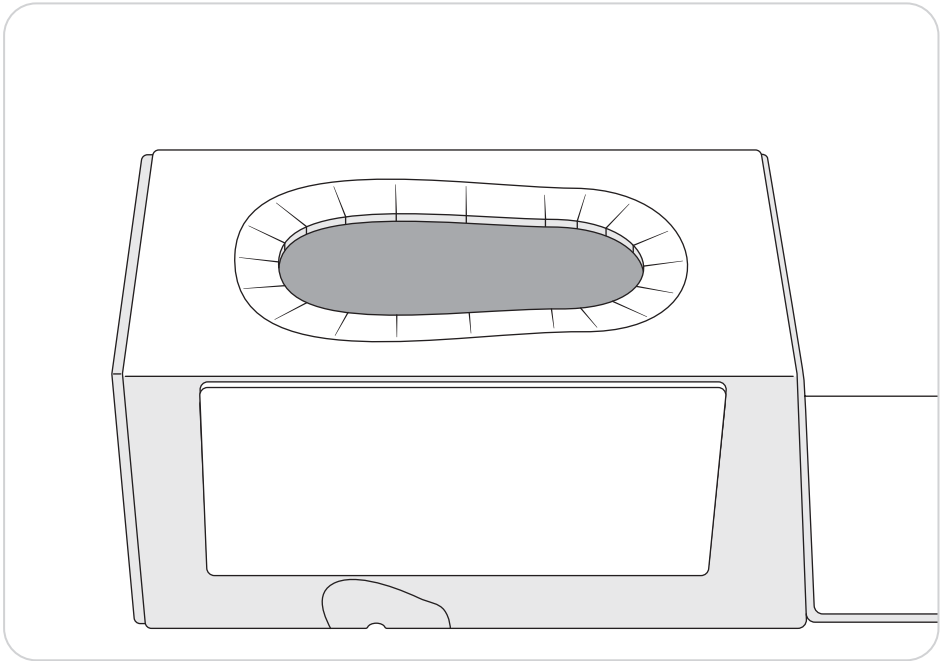
Setup - Tracheostomy Care

Not included

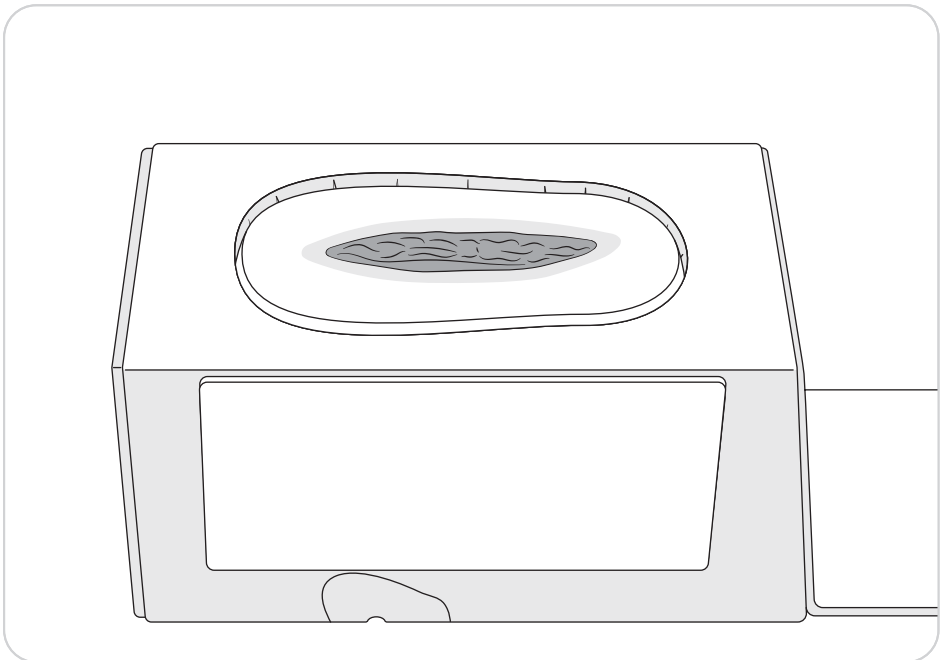
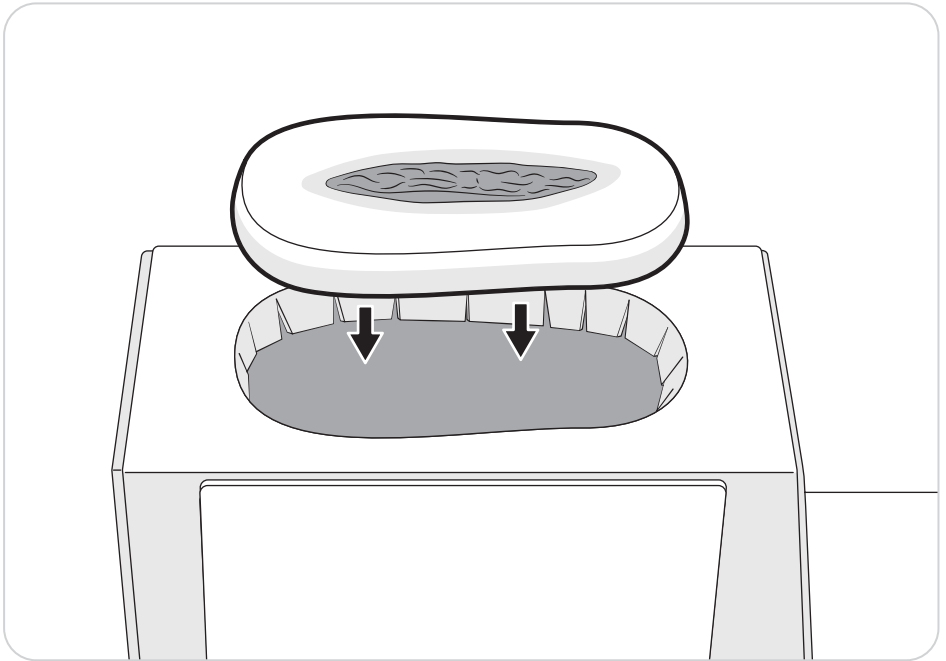




Setup - Injection Pad and Wound Pad

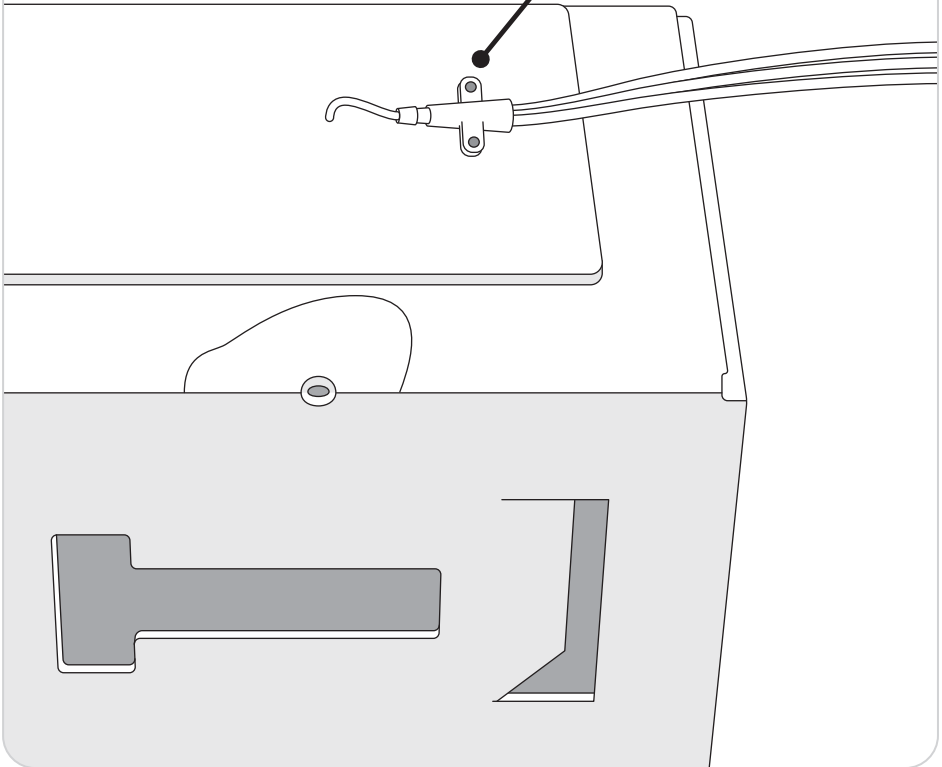
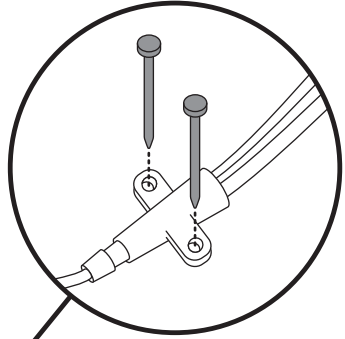
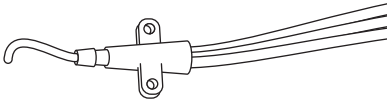


Setup - Injection Pad and Wound Pad

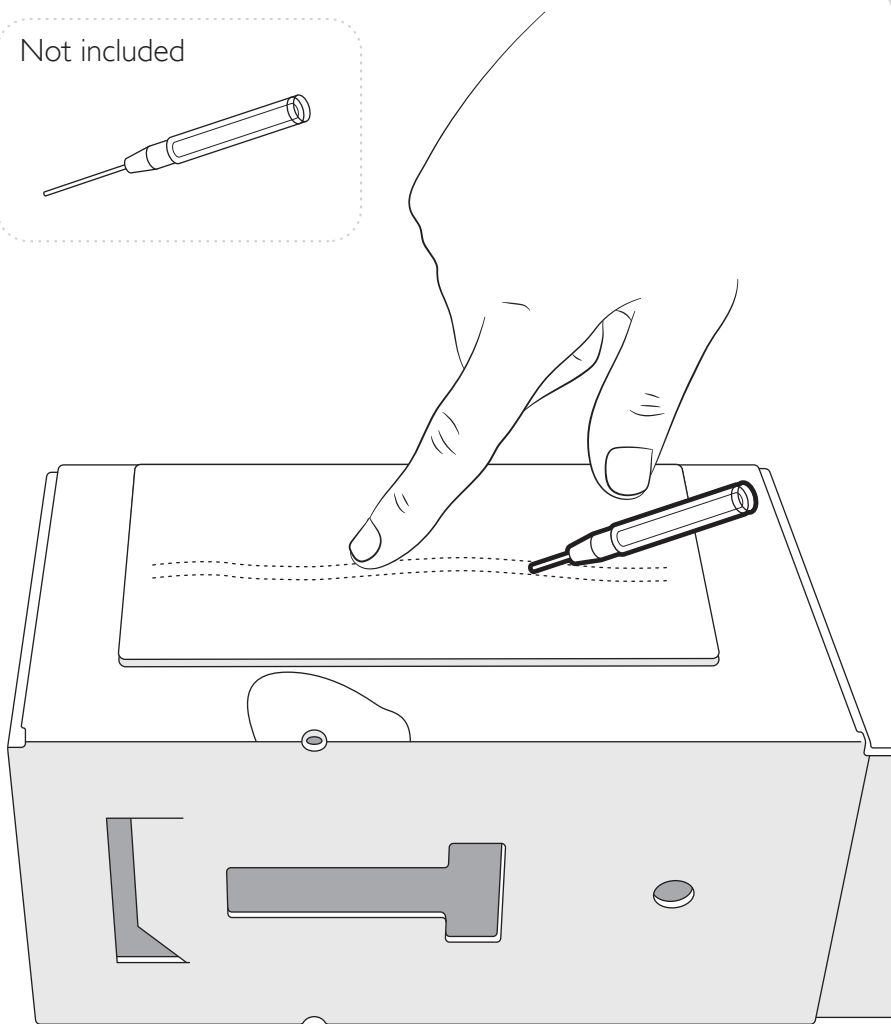
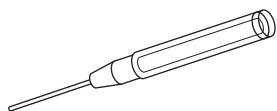


Setup - Central Line

Not included



Not included

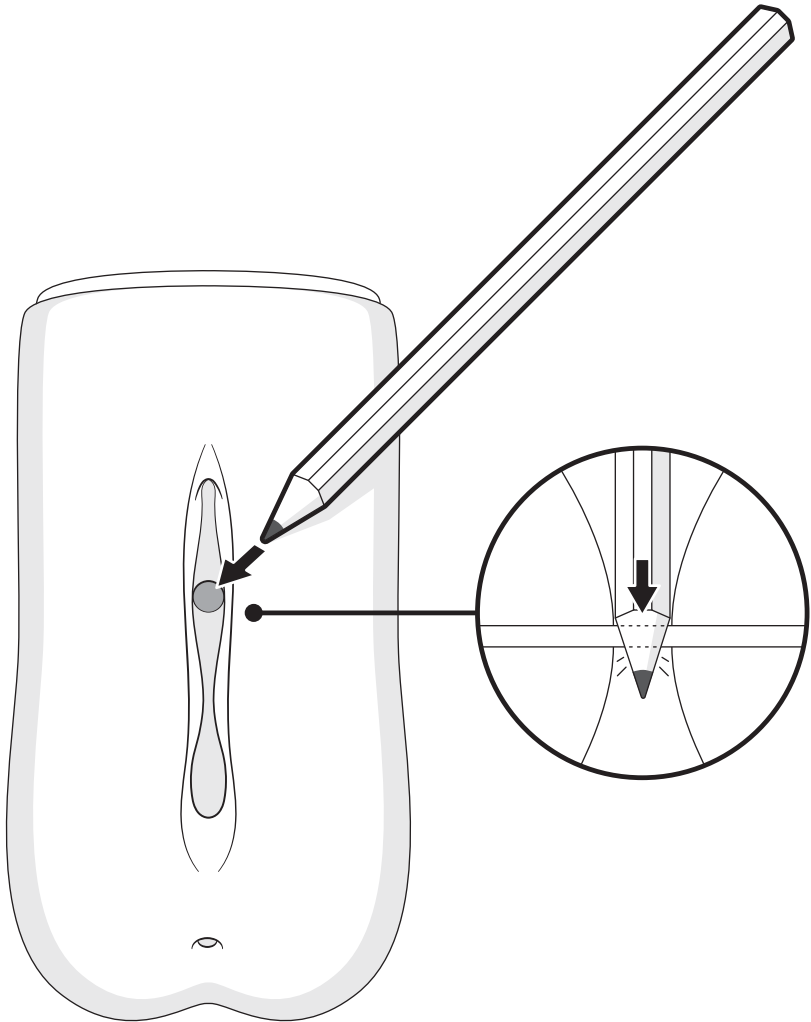
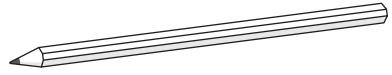


Troubleshooting - Urethra Membrane

 Note

Due to the manufacturing process, the urethral, vaginal and anal openings may have a thin membrane. Use a pencil or any sharp tool to pierce the membrane before use

Not included





© 2020 Laerdal Medical AS. All rights reserved.

Manufacturer: Laerdal Medical AS
P.O. Box 377
Tanke Svilandsgate 30, 4002 Stavanger, Norway
T: (+47) 51 51 17 00

20-17271 Rev A

www.laerdal.com



Laerdal
helping save lives